

Bearings for Industrial Robots



*ZYS bearings for
industrial robots*



ZYS, SINCE 1958-

Engaged in the development of industrial robots

LUOYANG BEARING RESEARCH INSTITUTE CO./ LTD.

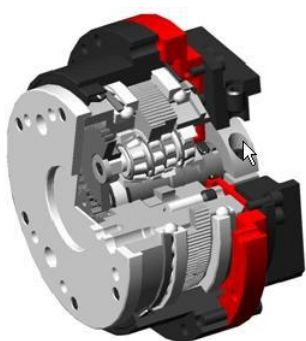
Website: www.zysbearing.com

Email: zysdong@gmail.com

Introduction to ZYS Precision Robot Bearings

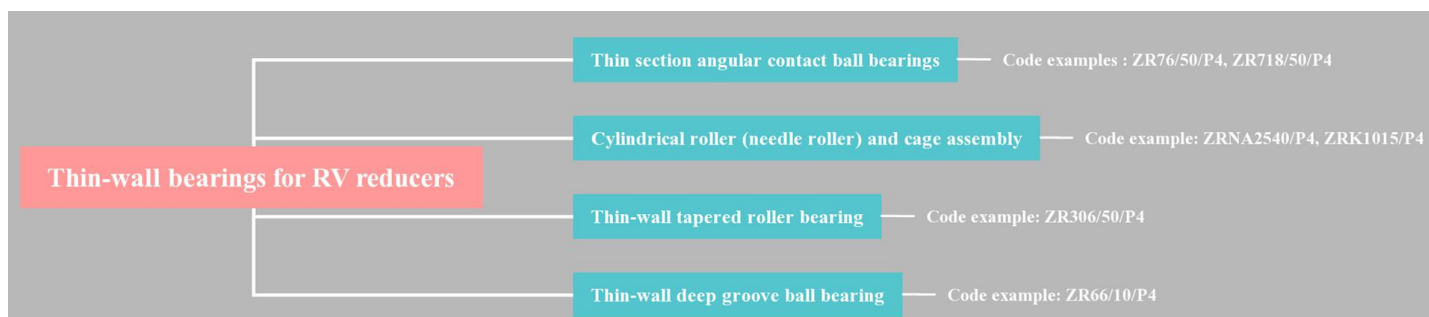
ZYS precision robot bearings are mainly used in industrial robot RV reducers, harmonic reducers and robot joints. They are developed for working conditions in which the robot bearings are small in size, light in weight and high in speed. ZYS mainly provides thin-wall bearings for RV reducers, flexible bearings for harmonic reducers, thin-wall bearings with equal sections, and crossed cylindrical roller bearings.

Application I Thin-wall bearings for RV reducers

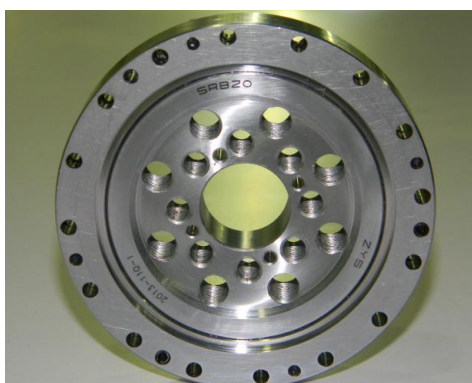


Features:

High precision, large load, small size, light weight, high rigidity, low noise, long life, stable operation, and long-term continuous operation in harsh environments.



Application II Flexible bearing for harmonic reducer



Code examples of the flexible bearing for ZYS harmonic reducer

Application III Thin wall cross roller bearing



It is suitable for the parts requiring small load and compact design, such as robot and the rotating parts of manipulator.

Application IV Thin-wall bearings with equal sections



ZYS thin wall bearing with equal section for robot refers to the light bearings used for each joint of the robot.

Common bearing models

CSG(CSF) series bearing for harmonic reducer	XRU series cross roller bearing for harmonic reducer	Flexible bearing for harmonic reducer
XRB14-55-CSF	XRU14-70CSF	PRS-R14
XRB17-62-CSF	XRU17-80CSF	PRS-R17
XRB20-70-CSF	XRU20-90CSF	PRS-R20
XRB25-85-CSF	XRU25-110CSF	PRS-R25
XRB32-112-CSF	XRU32-142CSF	PRS-R32
XRB40-126-CSF	XRU50-214CSF	
XRB50-157-CSF		
XRB65-210-CSF		